

HD PRO SERIES

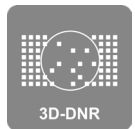
Series dedicated to the installer who's looking for a high-level camera making the difference in terms of image quality.



I2-320A-28

20M IR 1080P PRO HD ANALOG FIXED LENS BULLET CAMERA

Equipped with a 2.8mm fixed lens, this 2MP bullet camera is designed for short distance surveillance systems (up to 20m) for both indoor and outdoor scenarios. Featuring 4in1 technology selectable by a protected dipswitch the camera is ideal for Plug & Play over existing analog infrastructure.



MAIN FEATURES

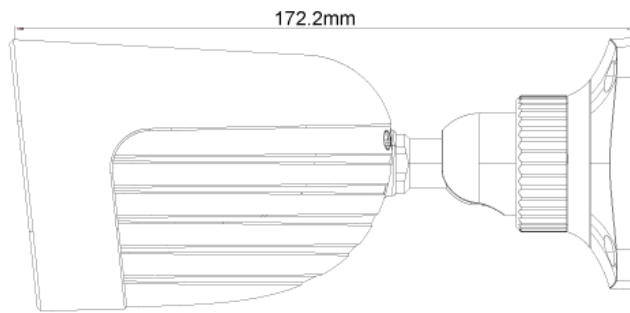
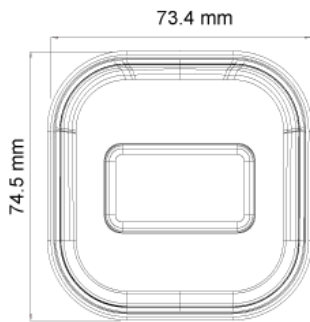
- 2MP
- Pro Series
- 1920x1080 Resolution
- Wide field of view 88°
- 3D-DNR
- 4 in 1 (DIP Switch AHD/TVI/CVI/CVBS + PAL/NTSC)
- IP67
- COC support



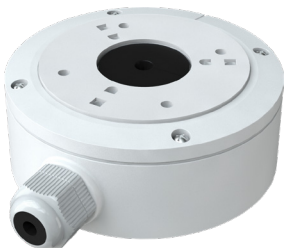
SPECIFICATIONS

Image Sensor	1/2.9" 2MP Sensor
Image Format	16:9
Effective Pixels	1936x1096
Scanning System	Progressive
Resolution	2MP: 1920x1080 AHD/TVI/CVI 1MP: 1280x720 AHD/TVI/CVI CVBS: 700TVL
FPS	25/30FPS
Min. Illumination	Color: 0.005lux @F1.2, AGC ON B/W: 0lux with IR
D&N	True Day&Night-ICR
IR LED	1 LED Array (20m)
OSD Menu	Available via CoC Only
CoC Support	Yes
Day & Night Mode	Ext/Auto/Day/Night
Backlight Compensation	No
S/N Ratio	≥52dB (AGC OFF)
White Balance	Auto / Manual
Noise Reduction	3D-DNR
Video Output	2MP / 1MP (Selected by OSD Menu) AHD/TVI/CVI/CVBS + PAL/NTSC (Selected by DIP Switch)
Privacy Mask	No
D-Effect	No
WDR	No
Lens (Field Of View)	2.8mm Mega-Pixel Fixed (88°)
Power	DC12V/320mA
Operation Temperature	-30°C ~ 50°C, 10% ~ 90% humidity
Protection Rate	IP67
Dimensions	172.2*73.4*74.5mm
Net Weight	475g
Junction Box	PR-JB12IP66 - PR-JB12IP64

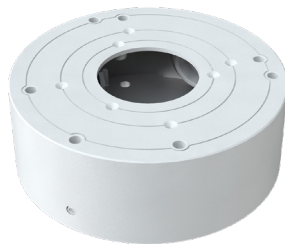
DIMENSIONS



ACCESSORIES



PR-JB12IP66
Small Water-proof Junction Box



PR-JB12IP64
Small Junction Box