

# UNV 4MP LPR Bullet Camera (2.8 to 12mm, PoE, H.265, warm light(IR)) Datasheet V1.00

PKC2640@Z28(-IR)-P



## Features

- Features
- Optics
  - Built-in lens supports motorized zoom to adapt to different scenes and allows for easy installation.
  - Automatic gain control, white balance, and WDR for various light conditions.
- Compression
  - Supports triple streams.
  - Advanced H.265 encoding technology improves compression efficiency.
  - Custom OSD allows various vehicle information to be overlaid on the video image.
- Functions
  - Built-in vehicle and license plate recognition algorithm can recognize standard license plates of multiple countries.
  - Supports capturing vehicle head only.
  - Supports plate allowlist and blocklist configuration.
  - Supports vehicle access control when connected to a barrier.
  - Supports Micro SD cards of up to 128GB.
  - Automatic network replenishment (ANR) allows to automatically store video to SD card in case of network disconnection.
  - Supports audio collection and intercom.

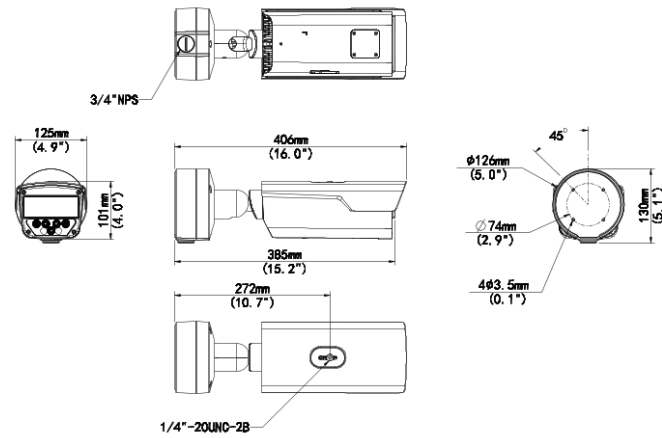
- Network
- Network auto-adaptability ensures smooth live video in relatively bad network conditions such as packet loss.
- Supports SNMP.
- Supports UNP for NAT traversal between public and private networks.
- Supports integration with the third party via SDK or HTTP.
- Network Security
- Supports authorized user access by password. Weak password detection and account lock-up when failed login attempts reach the upper limit enhance password security.
- Supports Web access via HTTPS.
- RTSP authentication prevents unauthorized video stream requests.
- IP address filtering prevents illegal access from untrusted IP addresses.
- Gateway ARP protection prevents MAC address spoofing.
- Structure
- Supports DC 12V and PoE (802.3at) power supplies.
- Cast aluminum body offers excellent heat dissipation.
- 3-axis mounting bracket for various installation scenarios.
- A junction box on the mounting bracket is convenient for storing tail cables.
- IP67 and IK10 protection.

## Specifications

| Camera                  | Description   |
|-------------------------|---|
| Sensor                  | 1/1.8-inch 4MP CMOS   |
| Focal length            | 2.8 to 12mm   |
| Shutter                 | Auto/Manual, range: 1/30 to 1/100000s   |
| Minimum illumination    | PKC2640@Z28-P/PKC2640@Z28-P:0.001lux (F1.4)<br>PKC2640@Z28-IR-P/PKC2640@Z28-IR-P:0.002lux (F1.6)                                    |
| Image                   | Description   |
| Image collection format | 2688*1520@30 (default), 2688*1520@25  |
| Resolution              | Main stream: 2688*1520, 1080P (default), 720P, D1; Sub stream: 720P (default), D1, 2CIF, CIF; Third stream: D1 (default), 2CIF, CIF |
| Frame rate              | 30 (default), 25, 22, 20, 18, 16, 15, 12.5, 10, 8, 6, 5, 4, 3, 2, 1   |
| Video compression       | H.264 (default), H.265  |
| ROI                     | Supports up to 8 regions  |
| Video OSD               | Supports 8 overlay areas and allows contents including date, time, date&time, zoom ratio, custom contents                           |

|                                  |  |
|----------------------------------|--|
| Image OSD                        | Supports 8 overlay areas and allows contents including time, license plate number, device ID, camera ID, allowlist, image authentication ID, custom contents (3 items), location   |
| <b>Smart</b>                     | <b>Description</b>   |
| Application scenario             | ≤ 30km/h for entrances and exits, ≤ 80km/h for regular roads;<br>Supports simultaneous application to road and entry/exit scenes without switching   |
| Vehicle detection mode           | Supports video detection   |
| License plate number recognition | Supports recognition of license plates with numbers and letters by default   |
| List configuration               | Supports allowlist and blocklist configuration, each list allows 20,000 items<br>Supports import, export, add, and delete operations   |
| Barrier opening policy           | Open barrier only for the recognized vehicles<br>Open barrier for all vehicles<br>Open barrier only for vehicles on the allowlist<br>Open barrier for vehicles not on the blocklist<br>Configurable Boolean output ID  |
| <b>Storage</b>                   | <b>Description</b>   |
| Edge storage                     | Supports ANR with a Micro SD card, up to 128GB   |
| <b>Structure</b>                 | <b>Description</b>   |
| Illumination                     | PKC2640@Z28-P/PKC2640@Z28-P:Built-in integrated illumination module, including 4 warm light LEDs, 50m illumination distance, automatic on/off control<br>PKC2640@Z28-IR-P/PKC2640@Z28-IR-P:Built-in integrated illumination module, including 4 IR LEDs, 50m illumination distance, automatic on/off control |
| Bracket                          | 3-axis mounting bracket  |
| Junction box                     | The camera comes with a junction box for storing tail cable  |
| <b>Interface</b>                 | <b>Description</b>   |
| Network interface                | 1 × 10M/100M RJ45  |
| Serial port                      | 1 × RS485  |
| Boolean output                   | 1 relay output, withstand voltage: AC 125V/0.3A, DC 30V/1A   |
| Boolean input                    | 2 x input, supports level (up to DC 5V) and switch signal  |
| Audio interface                  | 1 × audio input, 1 × audio output  |
| Storage interface                | 1 × Micro SD card slot   |
| <b>General</b>                   | <b>Description</b>   |
| Power supply                     | DC12V + 25% - 10%<br>Max. power consumption: 20W<br>Supports PoE (802.3at, class 4)  |
| Dimensions (L×W×H)               | 406mm x 126mm x 130mm  |
| Weight                           | 2.1kg  |
| Operating environment            | -40℃ to 60℃, ≤90% RH   |
| Ingress protection               | IP67, IK10   |

## Dimensions



## Ordering Info

| Product Model | Config   | Description   |
|---------------|----------|---|
| PKC2640       | Z28-P    | 4MP LPR Bullet Camera (2.8 to 12mm, PoE, H.265, warm light) |
|               | Z28-P    | 4MP LPR Bullet Camera (2.8 to 12mm, PoE, H.265, warm light) |
|               | Z28-IR-P | 4MP LPR Bullet Camera (2.8 to 12mm, PoE, H.265, IR)         |
|               | Z28-IR-P | 4MP LPR Bullet Camera (2.8 to 12mm, PoE, H.265, IR)         |

### Zhejiang Uniview Technologies Co., Ltd.

No. 369, Xietong Road, Xixing Sub-district, Binjiang District, Hangzhou City, 310051, Zhejiang Province, China

Email: [overseasbusiness@uniview.com](mailto:overseasbusiness@uniview.com); [globalsupport@uniview.com](mailto:globalsupport@uniview.com)

<http://www.uniview.com>

©2023-2024 Zhejiang Uniview Technologies Co., Ltd. All rights reserved.

\*Product specifications and availability are subject to change without notice.

\*Despite our best efforts, technical or typographical errors may exist in this document. Uniview cannot be held responsible for any such errors and reserves the right to change the contents of this document without prior notice.